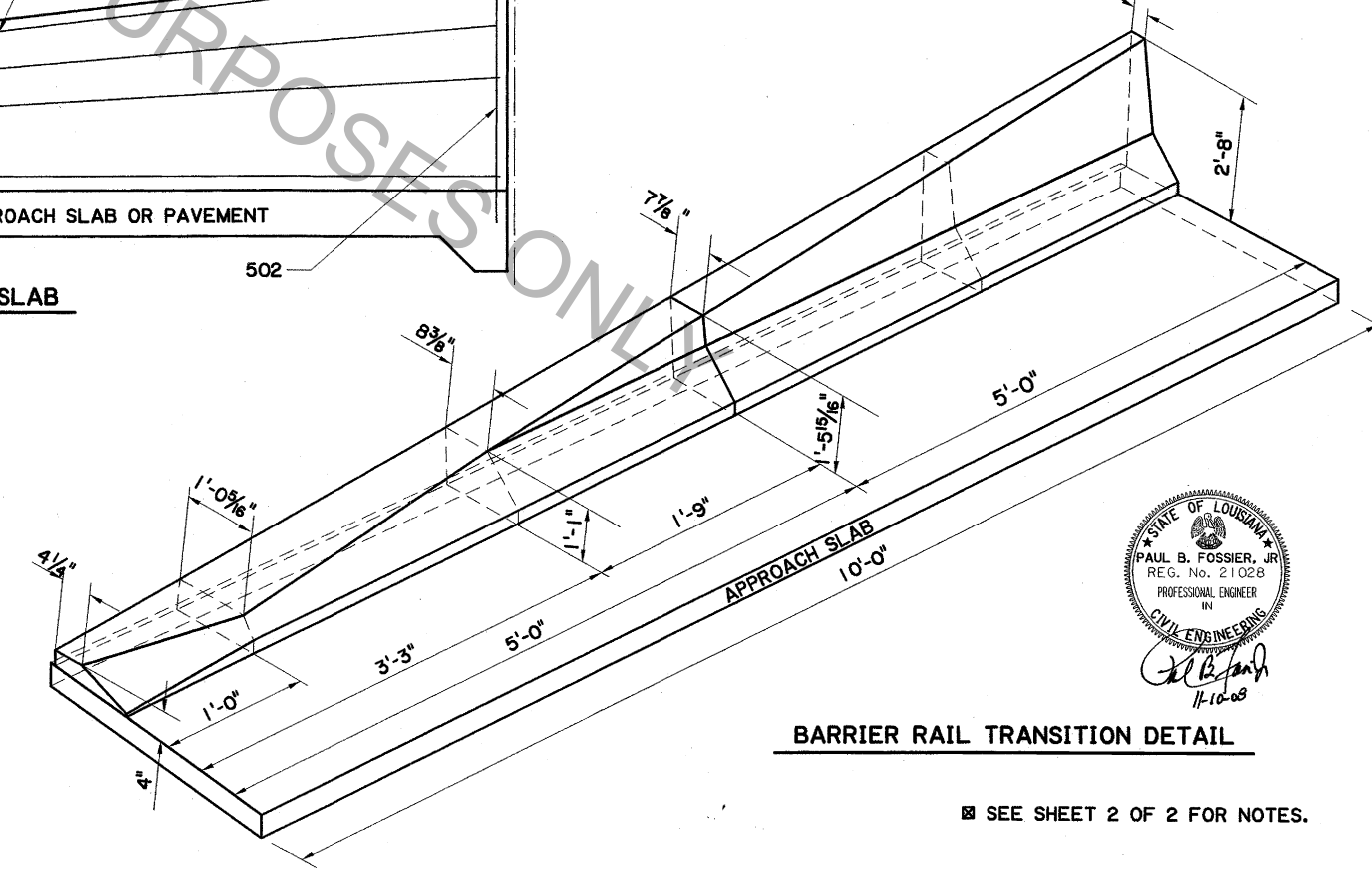
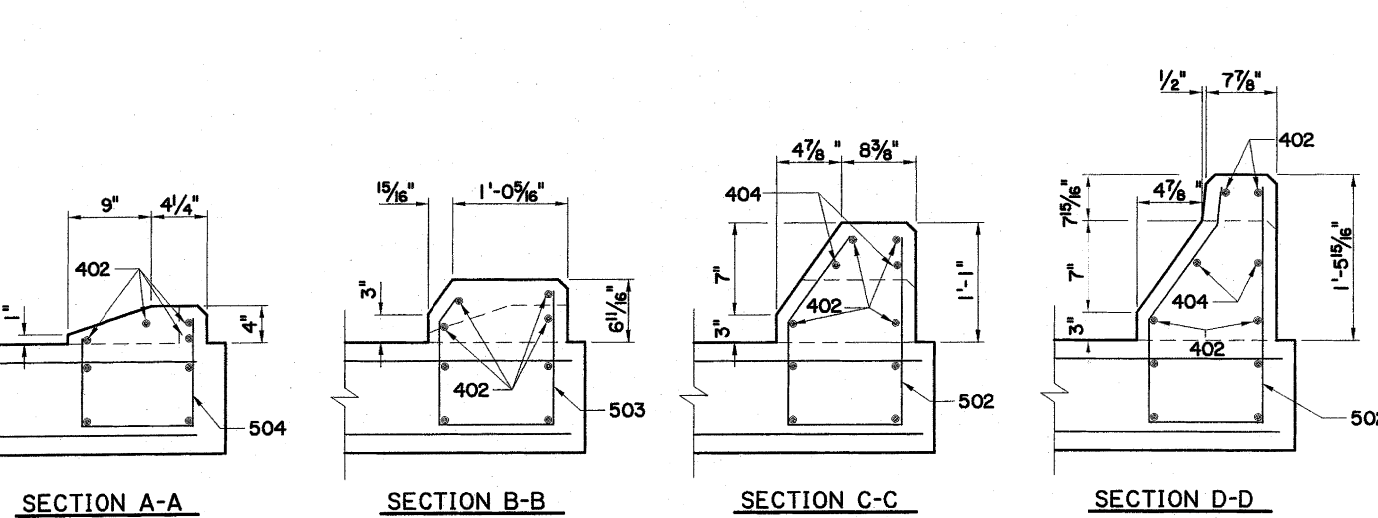
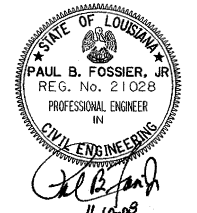


BARRIER RAIL TRANSITION ELEVATION AT APPROACH SLAB
(SHOWING REINFORCING STEEL)
(NTS)



BRIDGE & STD. BARRIER RAIL
TRANSITION AT APPROACH SLAB
(CAST-IN-PLACE)
BARRIER RAIL TRANSITION DETAIL

SEE SHEET 2 OF 2 FOR NOTES.



SEE SHEET 2 OF 2 FOR NOTES.

SHEET NUMBER	1 OF 2	
DESIGNED BY	P. FOSSIER	
CHECKED BY	G. GRASS	
DATE	OCT. 2008	
PROJECT	2016 SPECIFICATIONS UPDATE	
STATE	LA	
FEDERAL PROJECT		
PARISH		
REVISION DESCRIPTION		
NO.	DATE	BY
1	07/18/16	CMG
CONCRETE BARRIER RAILING & TRANSITION AT APPROACH SLAB (CAST-IN-PLACE)		
BRIDGE AND STRUCTURAL DESIGN		
BD.2.6.1.14.04 - (BR-05)		